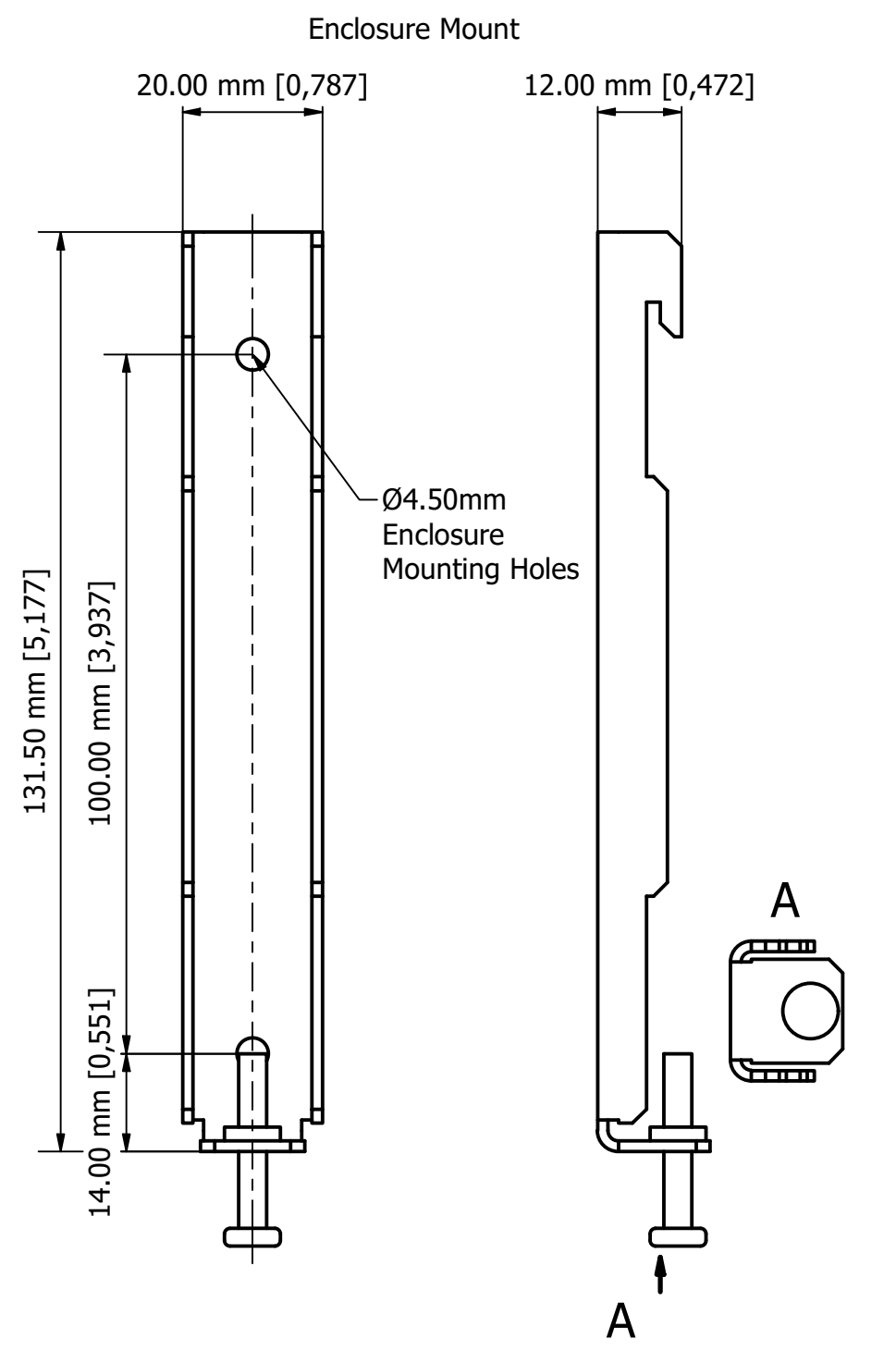
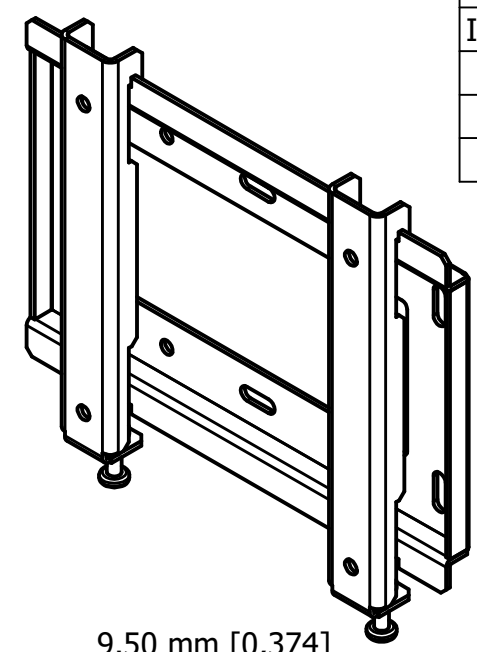


PARTS LIST			
ITEM	QTY	PART NUMBER	DESCRIPTION
1	1	M7006210	Wall Mount
2	2	M7006110	Enclosure Mount
3	2	M4x24 Pan Screw	Locking Screws



**Notes:**  
 Made from 1.5mm Steel.  
 Painted finish RAL 9016 Traffic White

Designed by J Moody	Description M7000900 - Wall Mounting Kit S	Date 06/09/2023	Scale
<b>METCASE ENCLOSURES</b> 15 Brunel Way, Segensworth East, Fareham, Hampshire, PO15 5TX, UK. Tel: +44 (0)1489 583858 Email: sales@metcase.co.uk		<b>METcase™</b> www.metcase.com Part Number <b>M7000900</b>	
		Issue 1	Sheet 1 / 1

© OKW Enclosures Ltd (Date as shown). This drawing contains proprietary information of OKW Enclosures Ltd and is tendered subject to the following conditions. The information be retained in confidence, not be reproduced or copied, and not be used or incorporated in any product, unless permission is obtained in writing from OKW Enclosures Ltd.

FIRST ANGLE PROJECTION