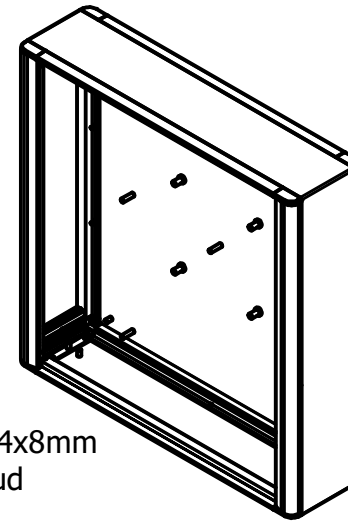
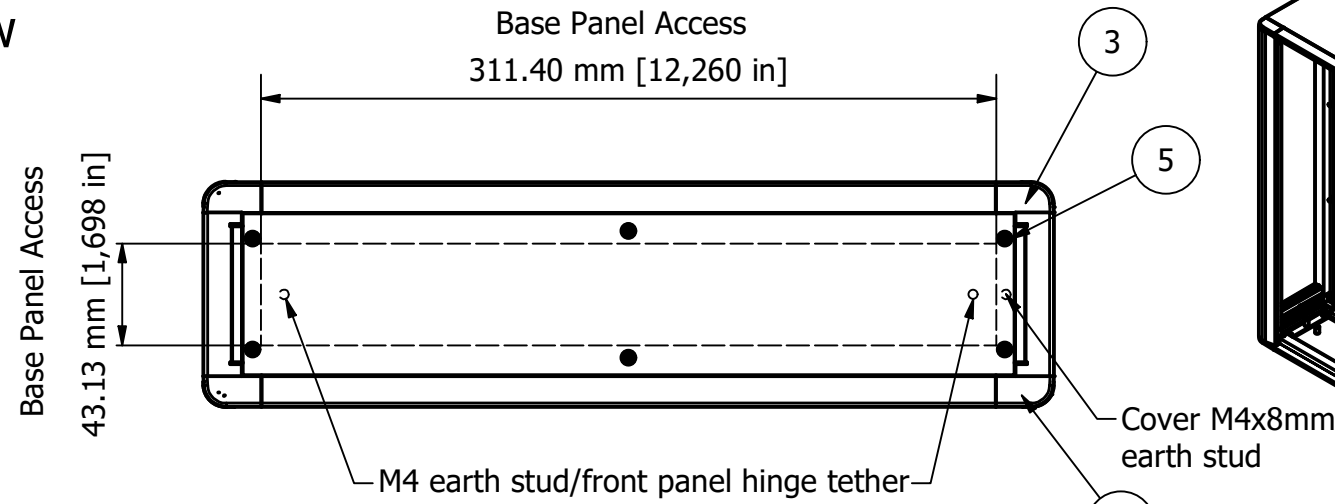


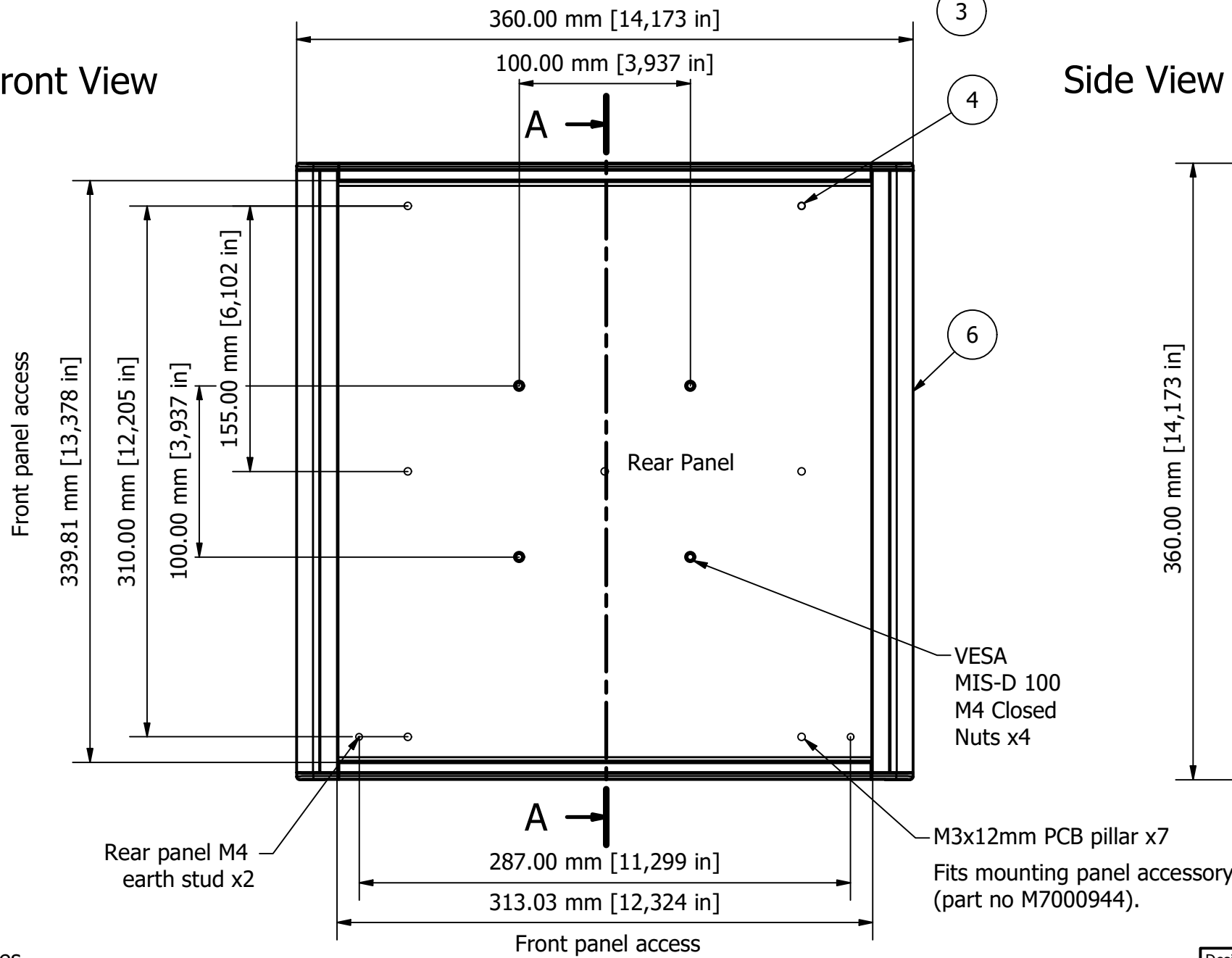
### Base View



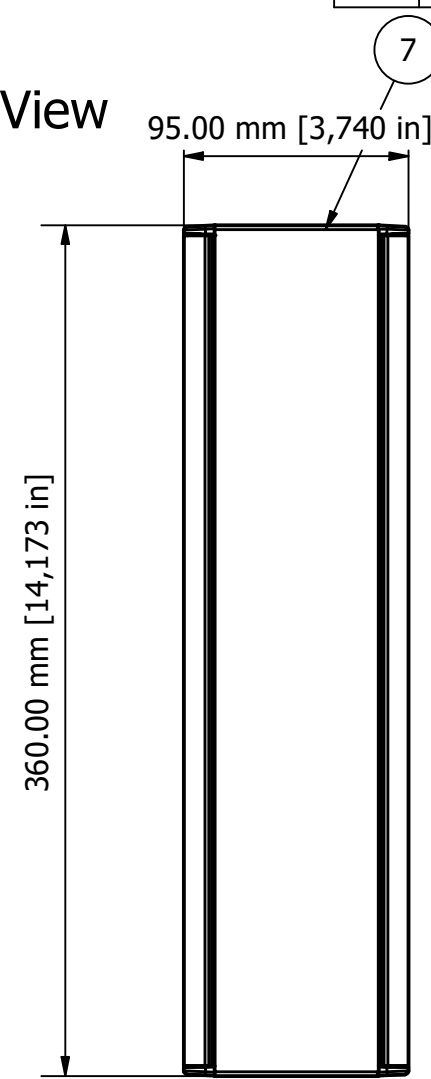
### PARTS LIST

ITEM	QTY	PART NUMBER	DESCRIPTION
1	1	M7003014	Base Panel
2	4	M7004112	Internternal Chassis Extrusions
3	2	M7000116	Front/Rear Bezel
4	1	M7005022	Rear Panel - 2mm thick
5	6	M3 x 6 mm CSK Screw	Base Panel Screws
6	4	M7000049	Bezel Trims
7	1	M7002022	Cover
8	8	M6420000	Trim Clips
9	8	M3x8 Pan Screw	Rear Panel Screws
10	8	M4x16 Screw	Bezel Screws
11	1	M7000704 / 724 / 744	Front Panel Sold Separately

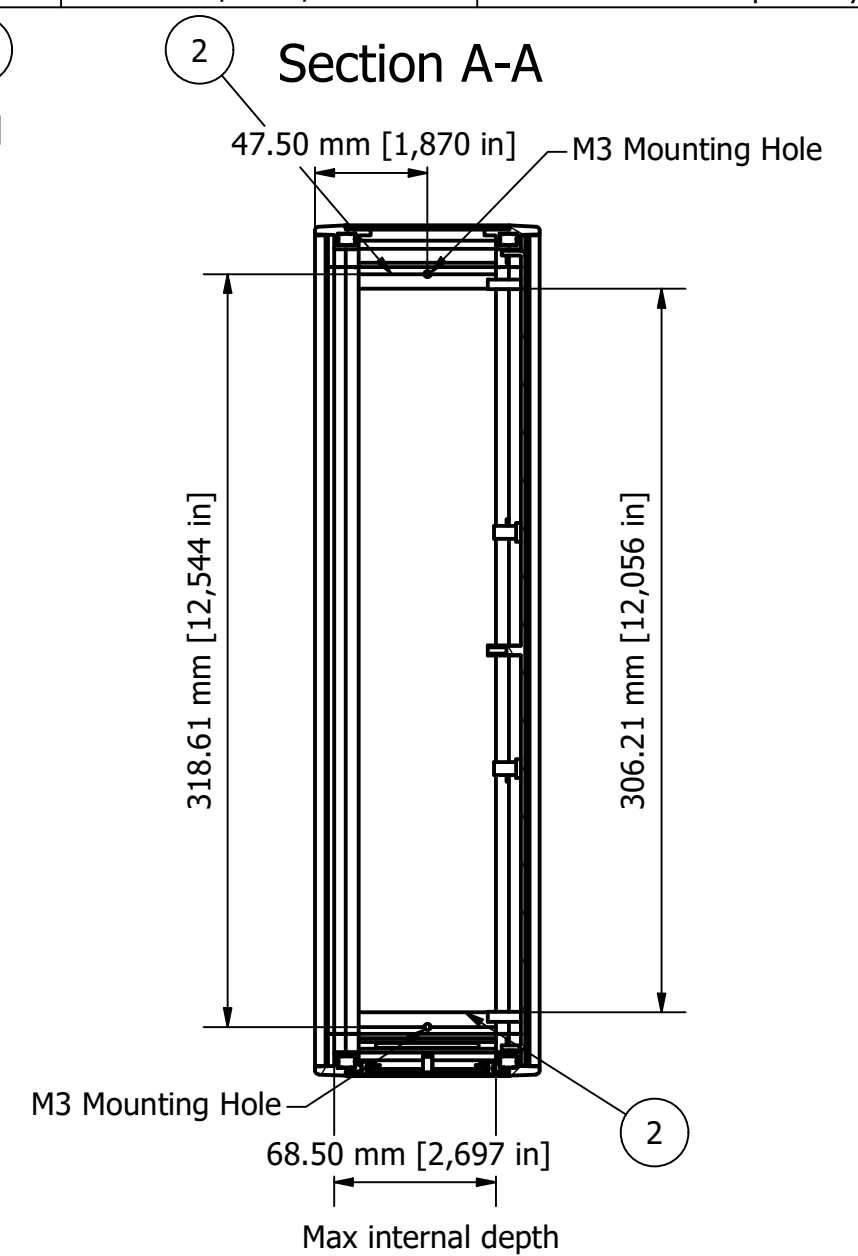
### Front View



### Side View



### Section A-A



FIRST ANGLE PROJECTION

### Notes

Case is fabricated from 1.5/2 mm aluminium sheet with diecast and extrusion bezels. Case is powder coat painted fine texture. Cover, rear and base all have M4 x 8 mm earth studs. Front panel screws supplied with each case. Suggested max PCB size is 311x335mm

© OKW Enclosures Ltd (Date as shown). This drawing contains proprietary information of OKW Enclosures Ltd and is tendered subject to the following conditions. The information be retained in confidence, not be reproduced or copied, and not be used or incorporated in any product, unless permission is obtained in writing from OKW Enclosures Ltd.

Designed by J Moody	Description TECHNOMET-CONTROL C336V	Date 27/09/2023	Scale
<b>METCASE ENCLOSURES</b> 15 Brunel Way, Segensworth East, Fareham, Hampshire, PO15 5TX, UK. Tel: +44 (0)1489 583858 Email: sales@metcase.co.uk		<b>METcase™</b> www.metcase.com Part Number M7036402 - M7036406	
		Issue 1	Sheet 1 / 1