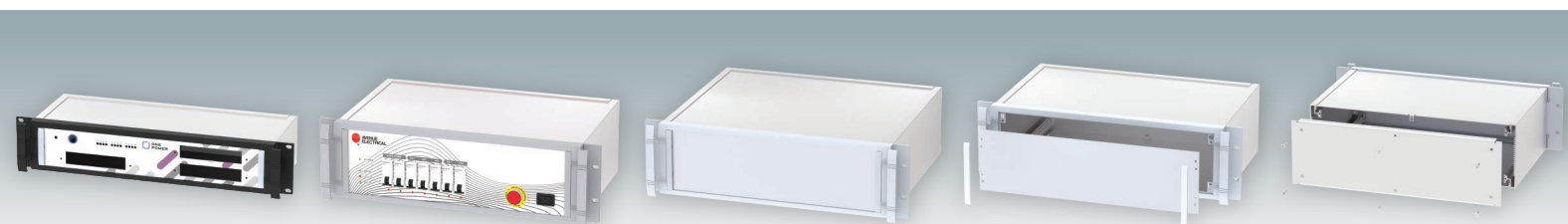


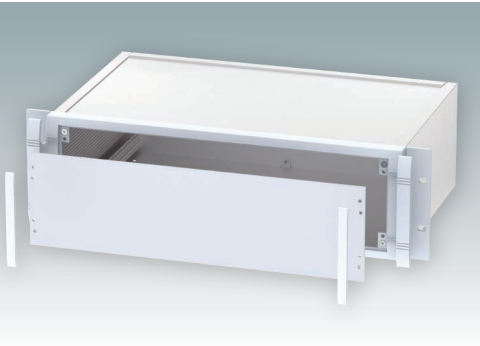


## METTEC 19"

Rack Mount Enclosures  
DIN 41494 | IEC 60297-3



# METTEC 19"



## 19" rack mount enclosures with removable front panel

Exclusive range of 19" rack cases in aluminium. Conforms to DIN 41494 and IEC 60297-3. Heights: 2U and 3U in three standard depths. Attractive diecast front bezel incorporating unique 'comfort-handles' and rack mounting ears. Robust case body assembly includes flat top and base panels, two side extrusions and the rear panel. Internal guide rails for PCBs and chassis plates. Front panel (accessory) recessed in bezel for locating keypads or labels. Order your own fully customised version.

## Standard colours

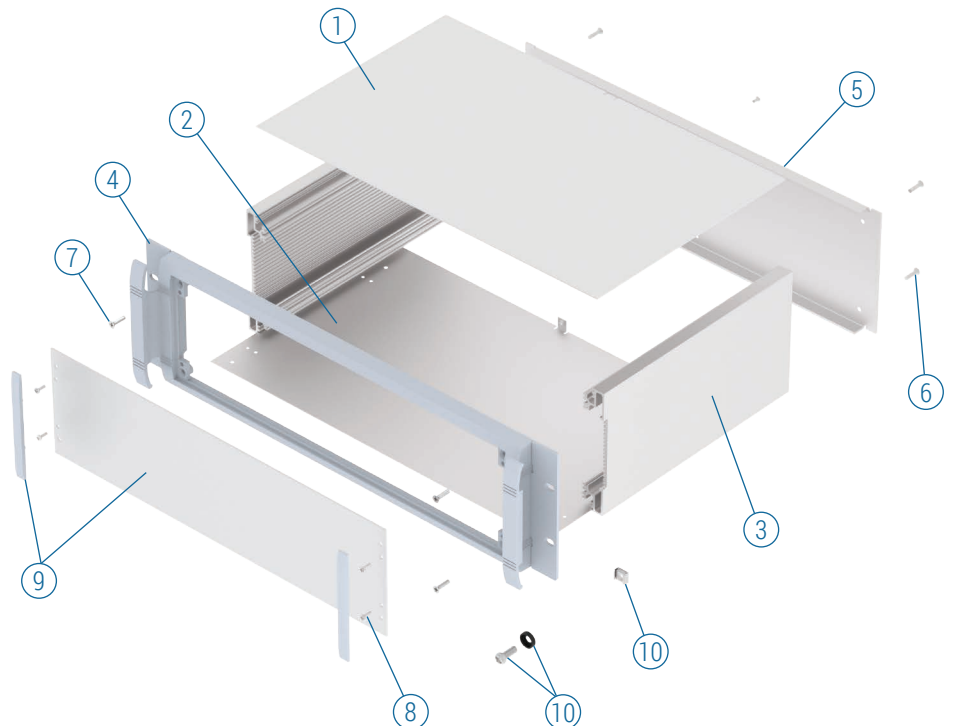
Light grey RAL 7035 (19" front bezel)  
Iridite NCP (enclosure)



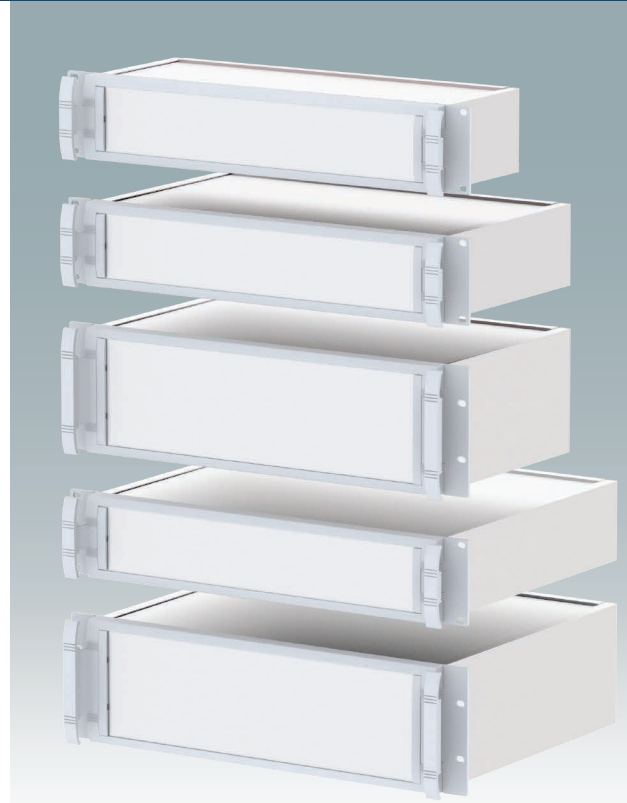
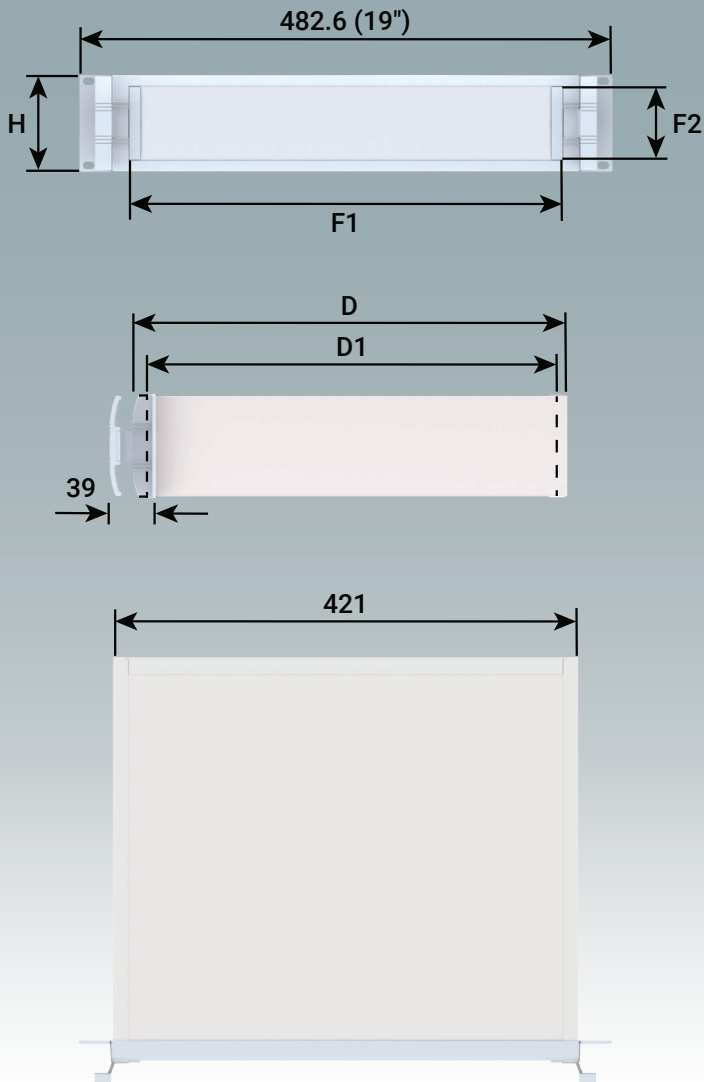
### Supply

- ① Top cover
- ② Base panel
- ③ Side extrusion (x2)
- ④ 19" front bezel
- ⑤ Rear panel
- ⑥ M4 x 16 mm (x4)
- ⑦ M4 x 16 mm (x4)
- ⑧ M3 x 8 mm (x4)
- ⑨ \*Front panel kit
- ⑩ \*19" Mounting kit

\*accessories



## METTEC 19"



Part No.	H	D	D1	F1 Front Panel	F2 Front Panel
<b>M 59 20 015</b>	2U	167.5	158.8	392.5	67.1
<b>M 59 20 025</b>	2U	267.5	258.8	392.5	67.1
<b>M 59 20 035</b>	2U	367.5	358.8	392.5	67.1
<b>M 59 30 015</b>	3U	167.5	158.8	392.5	111
<b>M 59 30 025</b>	3U	267.5	258.8	392.5	111
<b>M 59 30 035</b>	3U	367.5	358.8	392.5	111

For full 2D drawings and 3D models please see our website.

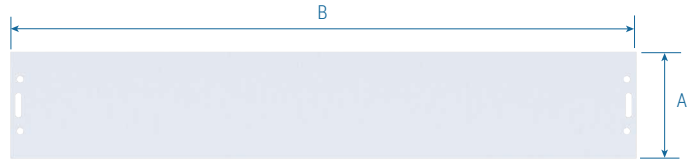
For front panels and accessories see page 4.



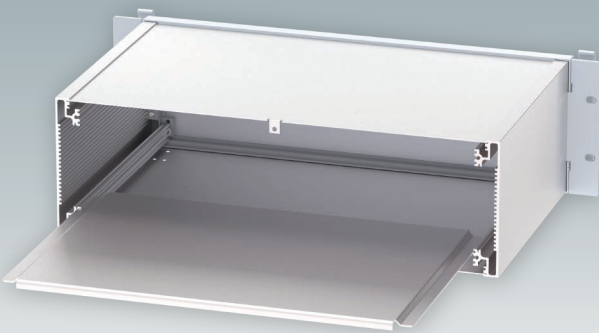
## Front Panel Kits

### Supply:

Panel (2 mm matt anodised aluminium)  
2 Trims (ABS, RAL 7035)



Part No.	Version	A	B
M 59 00 020	2U	67.1	392.5
M 59 00 030	3U	111.0	392.5



## Chassis Plate

### Supply:

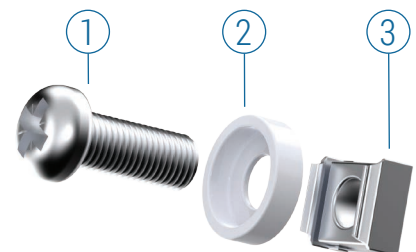
Chassis plate (1.5 mm natural aluminium)



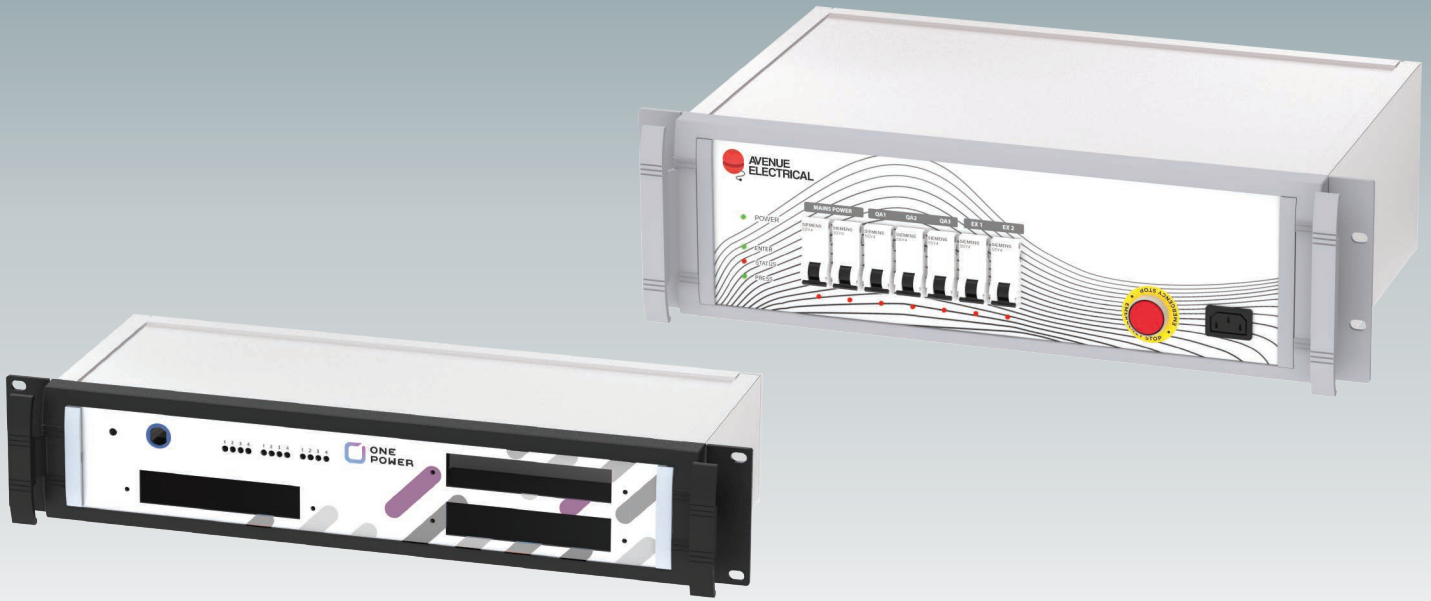
Part No.	Version	A
M 59 00 201	167.5	149
M 59 00 202	267.5	249
M 59 00 203	367.5	349



## 19" Mounting Kit



Part No.	Supply	Colours
M 60 00 035	①+②+③ x 4	○ RAL 7035 ②
M 59 00 016	①+②+③ x 4	● RAL 9005 ②
M 59 00 018	①+②+③ x 4	● RAL 9005 ①②



## Order your own customised version

We can supply the METTEC 19" enclosures fully customised to your individual technical specifications.

External dimensions – width and depth – can be modified to ensure your PCB assemblies and equipment will fit exactly.

The enclosures and front panels can be machined with holes and cutouts for fitting displays, keypads, HMI touch panels, control buttons and connections.

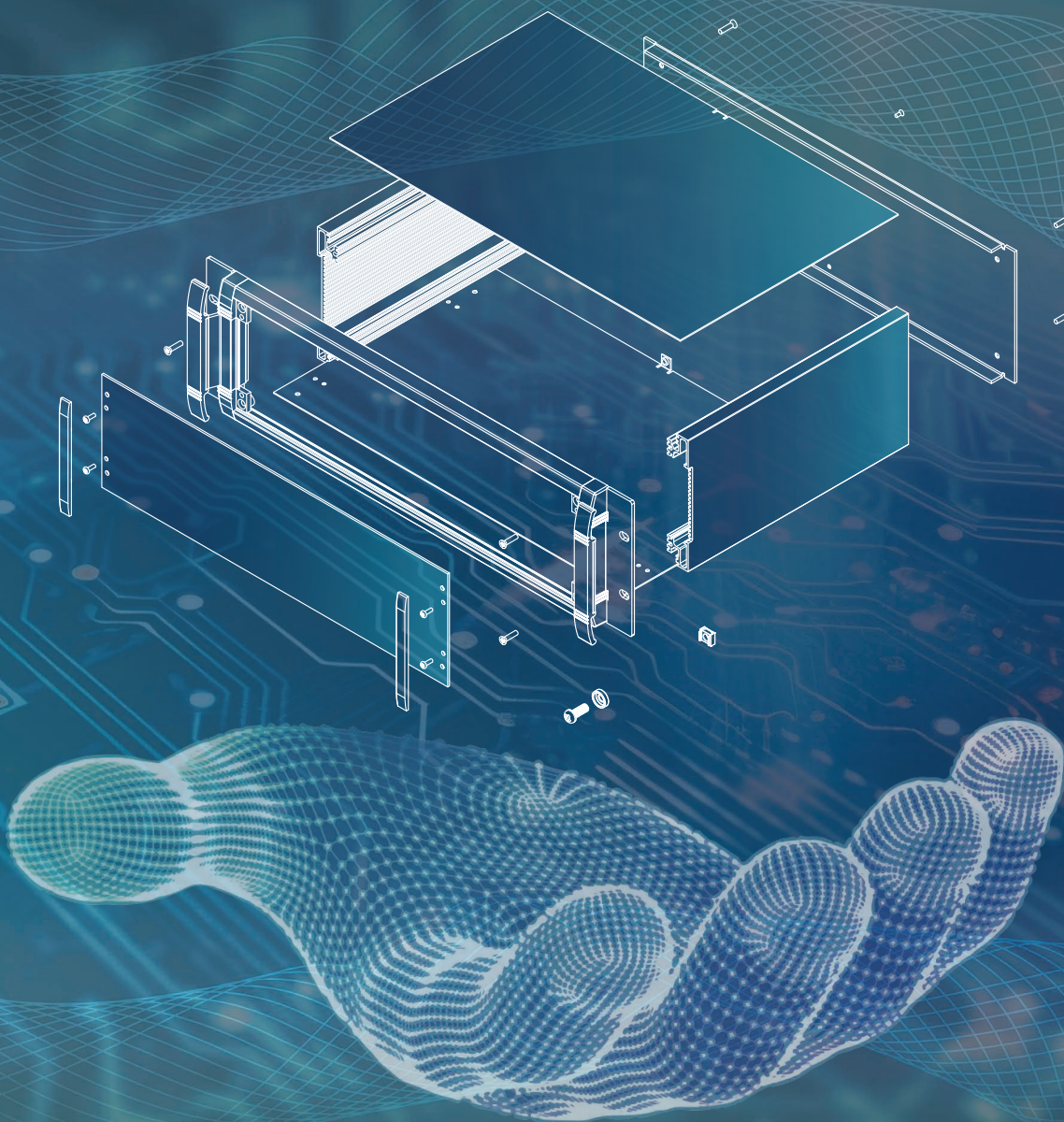
Other services include adding inserts and screw bosses; custom colours and finishes; digital and silk-screen printing, and engraving.

Having a flexible manufacturing system allows us to offer competitive prices even for small quantities. Do not hesitate to ask us for a quotation.

Our sales team will be very happy to discuss your requirements and help you specify your METTEC 19" enclosures exactly as you need them.







# METcase™

## MANUFACTURER

Metcase Enclosures  
A division of:  
OKW Enclosures Ltd.  
15 Brunel Way  
Segensworth East  
Fareham, Hampshire  
PO15 5TX  
United Kingdom

Telephone: +44 (0) 1489 583858  
Email: [sales@metcase.co.uk](mailto:sales@metcase.co.uk)  
Website: [www.metcase.co.uk](http://www.metcase.co.uk)

© OKW Enclosures Ltd. All rights reserved  
Catalogue Edition 1.1 – March 2025.  
This catalogue will be valid until 31/12/2027.  
Subject to technical modifications without notice.  
Typographical and other errors do not justify any  
claim for damages.  
Digital Version: 03/2025e

## Presented by:

Find your local sales partner here:



**UNITED KINGDOM | IRELAND**  
OKW ENCLOSURES LTD  
15 Brunel Way,  
Segensworth East,  
Fareham, PO15 5TX  
United Kingdom  
Phone: +44 (0) 1489 583858  
Email: [sales@metcase.co.uk](mailto:sales@metcase.co.uk)  
Website: [www.metcase.co.uk](http://www.metcase.co.uk)



**AUSTRALIA | NEW ZEALAND**  
ROLEC OKW Australia New Zealand PTY LTD  
Unit 6/29 Coombes Drive, Penrith NSW 2750  
Phone: +61 2 4722 3388  
Email: [metcase@rolec-okw.com.au](mailto:metcase@rolec-okw.com.au)  
Website: [www.metcase.com.au](http://www.metcase.com.au)



**BELGIUM | LUXEMBOURG**  
TelereX N.V.  
Uilenbaan 90 Unit 8, 2160 Wommelgem  
Tel: +32 (0)3 3 26 40 00  
Email: [info@telereX-europe.com](mailto:info@telereX-europe.com)  
Website: [www.metcase.co.uk](http://www.metcase.co.uk)



**BRAZIL**  
sob Schurter + OKW do Brasil  
Componentes Eletrônicos Ltda.  
Rua Barão do Triunfo,  
88 - Sala 606 Brooklin,  
São Paulo/SP CEP 04602-000  
Phone: +55 (11) 50 90 00 30  
Email: [info@sob-brasil.com](mailto:info@sob-brasil.com)  
Website: [www.metcase.co.uk](http://www.metcase.co.uk)



**ISRAEL**  
P. Weiss  
20 Ha-Ta'as st.  
P.O.B. 50 Kfar-Saba, 4442520.  
Phone +972 9 7677500  
Email: [pweiss@pweiss.co.il](mailto:pweiss@pweiss.co.il)  
Website: [www.metcase.co.uk](http://www.metcase.co.uk)



**ITALY**  
Alhof di A. Hofmann SPA  
Via Melegnano 20,  
20019 Settimo Milanese MI  
Phone: (02) 28 50 08 1  
Email: [alhof@alhof.com](mailto:alhof@alhof.com)  
Website: [www.metcase.co.uk](http://www.metcase.co.uk)



**NETHERLANDS**  
TelereX Nederland B.V.  
Postbus 6852, 4802 HW Breda  
Tel: +31 (0)76 5 78 20 00  
Email: [info@telereX-europe.com](mailto:info@telereX-europe.com)  
Website: [www.metcase.co.uk](http://www.metcase.co.uk)

[www.metcase.co.uk](http://www.metcase.co.uk)