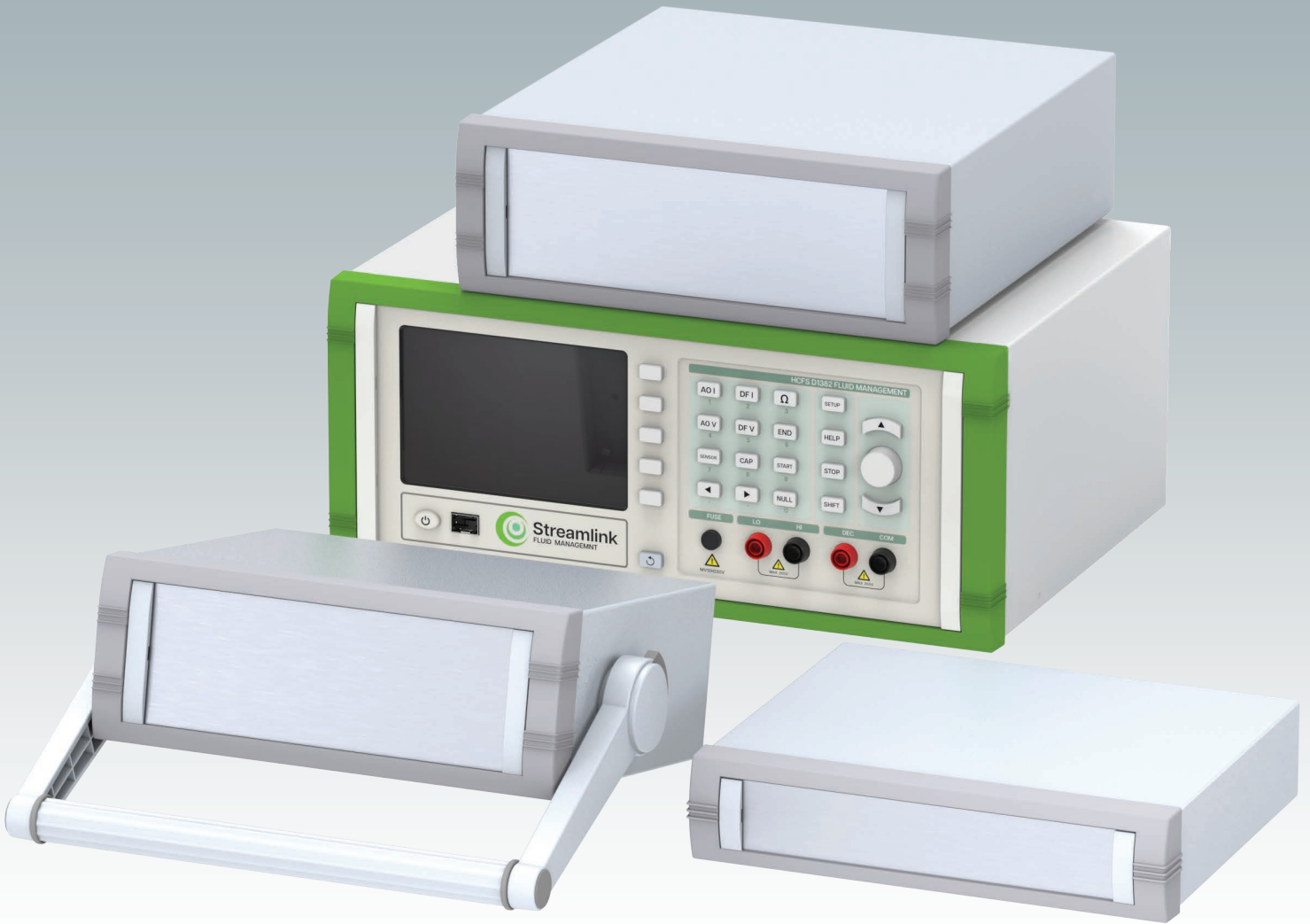


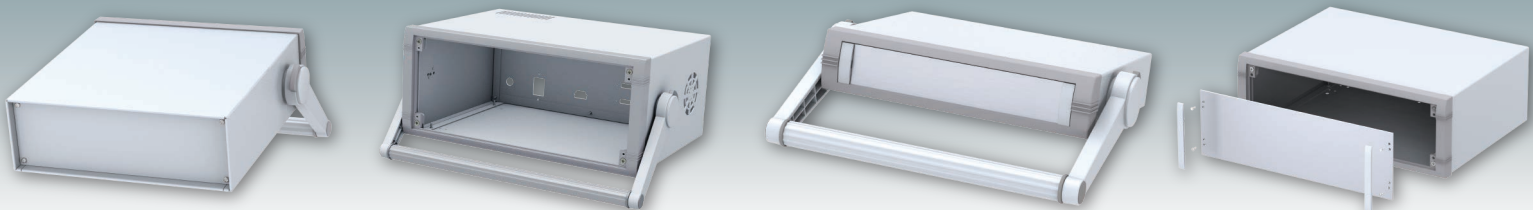
MET case™

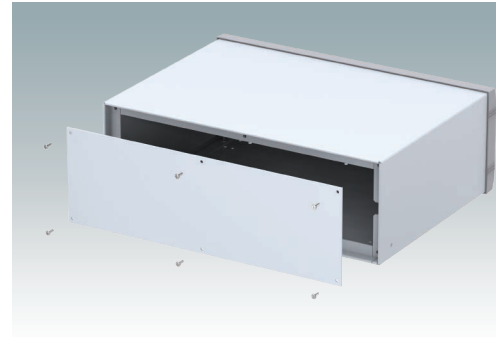
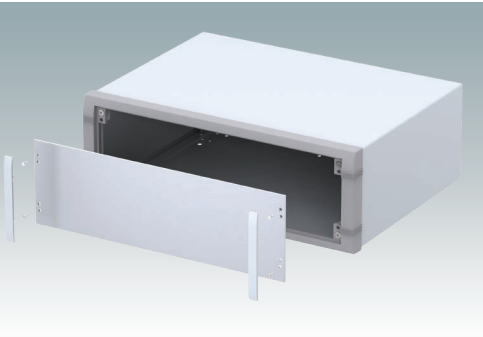
Electronic Enclosures



UNIMET

Desktop/Portable
Instrument Enclosures



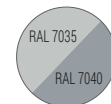


UNIMET Desktop/Portable Instrument Enclosures

Modern and versatile enclosures for electronic instruments. Robust and attractive aluminium design in six standard sizes. With or without a tilt/swivel carry handle bar. Diecast front bezel is assembled to the fabricated aluminium case body. Removable rear panel. Mounting holes in the base for PCBs, chassis etc. Four non-slip rubber feet included. Order your own fully customised version.

Standard colours

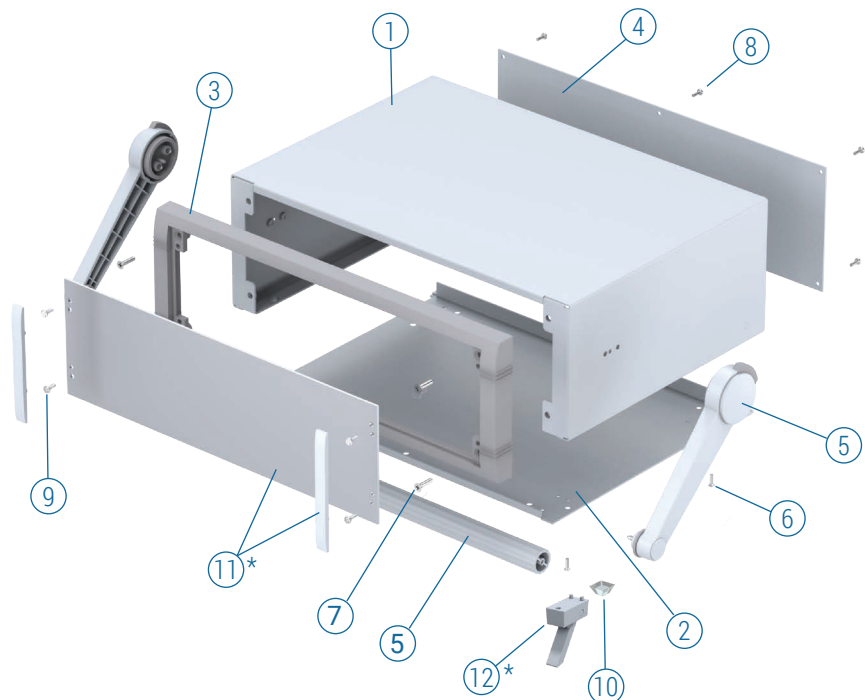
Light grey RAL 7035.
Window grey RAL 7040.



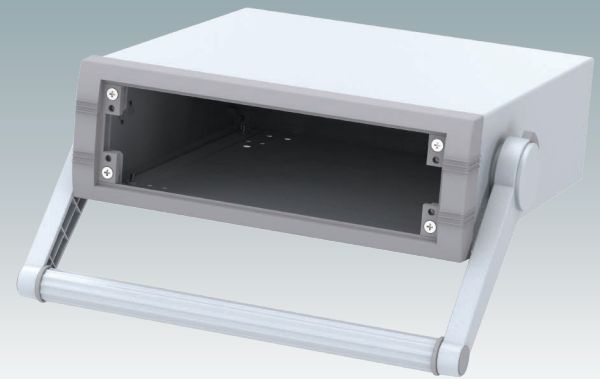
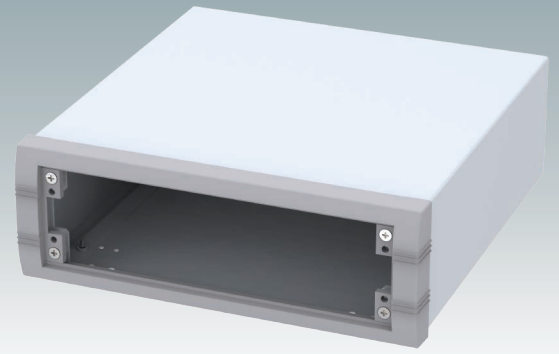
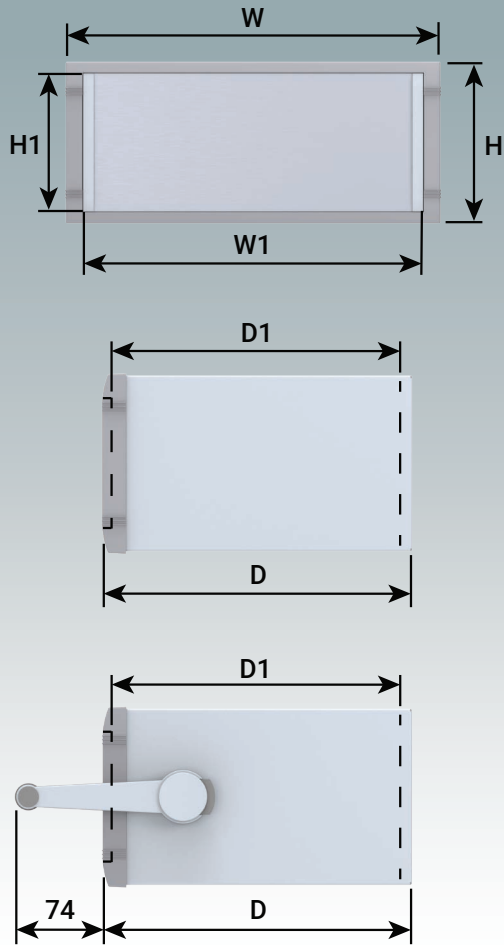
Supply

- ① Top cover
- ② Base panel
- ③ Front bezel
- ④ Rear panel
- ⑤ Carry handle
- ⑥ M3 x 8 mm (x4)
- ⑦ M4 x 16 mm (x2/4)
- ⑧ M3 x 8 mm (x4/6)
- ⑨ M3 x 8 mm (x4)
- ⑩ Rubber foot (x4)
- ⑪ *Front panel kit
- ⑫ *ABS feet

*accessories



UNIMET



VERSION H

WITHOUT CARRY HANDLE

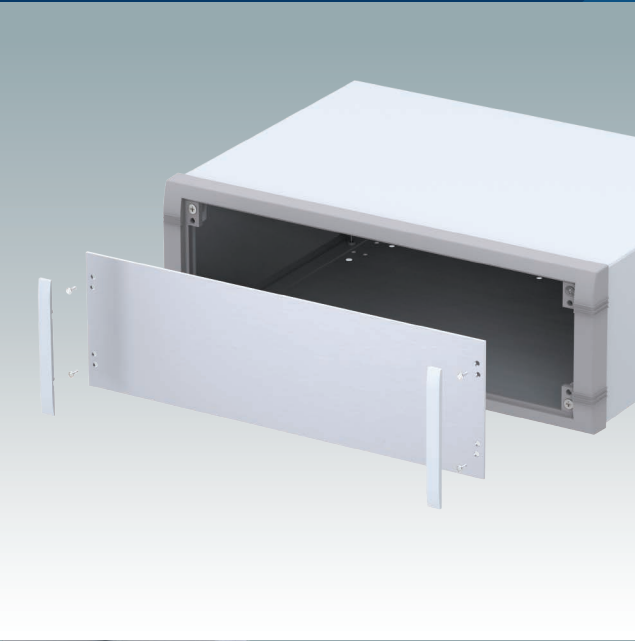
Part No.	Version	H	W	D	D1	W1 Front Panel	H1 Front Panel	PCB Width (max.)	PCB Depth (max.)
M 56 23 005	1	50	230	190	171.8	199.5	33.6	175	161
M 56 23 105	2	85	230	190	171.8	199.5	65.1	175	161
M 56 25 105	3	85	250	260	242.2	219.5	65.1	195	231
M 56 35 205	4	120	350	260	242.2	319.5	100.1	295	231
M 56 25 305	5	150	250	260	242.2	219.5	130.1	195	231
M 56 35 305	6	150	350	260	242.2	319.5	130.1	295	231

WITH CARRY HANDLE

Part No.	Version	H	W	D	D1	W1 Front Panel	H1 Front Panel	PCB Width (max.)	PCB Depth (max.)
M 56 23 025	1H	50	230	190	171.8	199.5	33.6	175	161
M 56 23 125	2H	85	230	190	171.8	199.5	65.1	175	161
M 56 25 125	3H	85	250	260	242.2	219.5	65.1	195	231
M 56 35 225	4H	120	350	260	242.2	319.5	100.1	295	231
M 56 25 325	5H	150	250	260	242.2	219.5	130.1	195	231
M 56 35 325	6H	150	350	260	242.2	319.5	130.1	295	231

For full 2D drawings and 3D models please see our website.

For front panels and accessories see page 4.

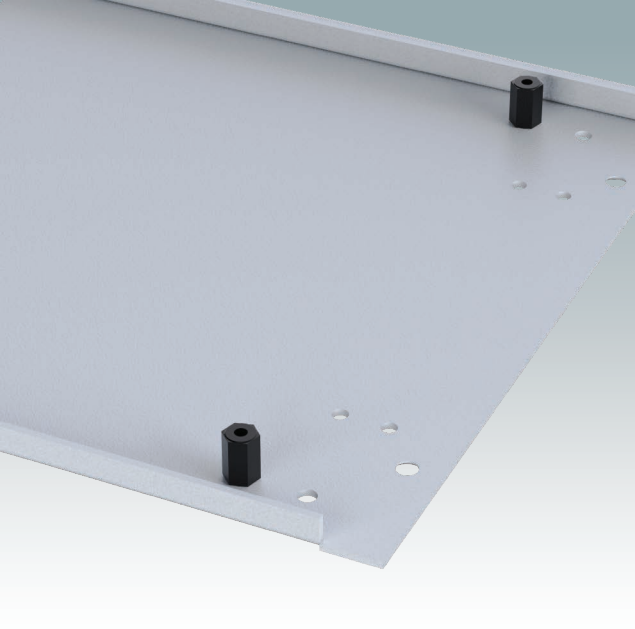


Front Panel Kits

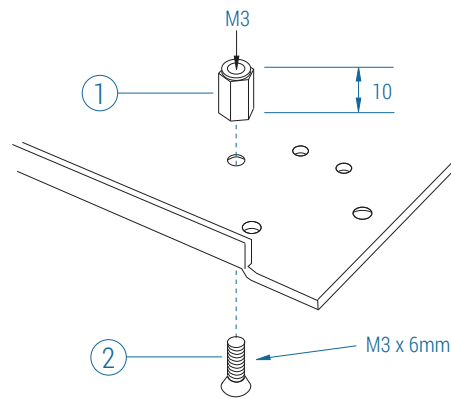
Supply:
 Panel (2 mm matt anodised aluminium)
 2 Trims (ABS, RAL 7035)



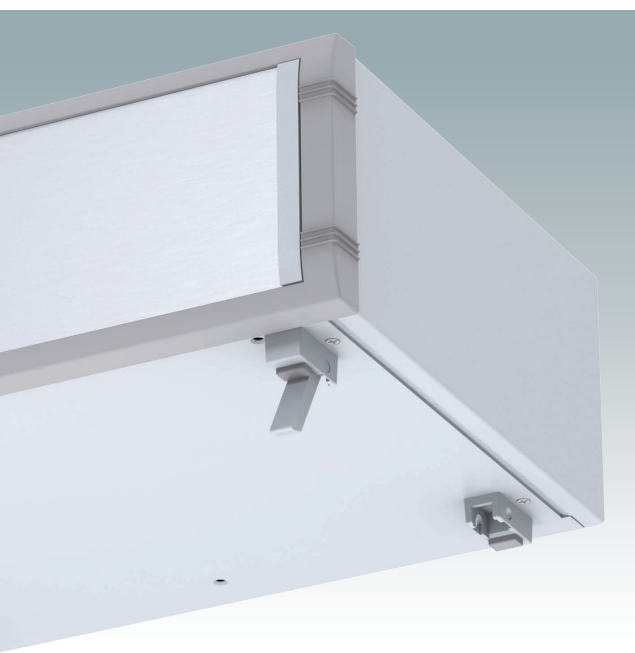
Part No.	Version	A	B
M 57 00 607	1/1H	33.6	199.5
M 57 00 608	2/2H	65.1	199.5
M 57 00 613	3/3H	65.1	219.5
M 57 00 620	4/4H	100.1	319.5
M 57 00 616	5/5H	130.1	219.5
M 57 00 621	6/6H	130.1	319.5



PCB Mounting Kit



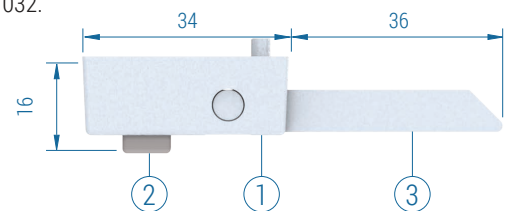
Part No.	Supply
M 56 00 001	①+② x 10



Feet Kits

Optional moulded feet which replace the four standard rubber feet supplied with the enclosures. They are assembled to pre-punched holes in the UNIMET base panels with self-tapping screws (included).

Material:
 Feet and legs: ABS, light grey RAL 7035.
 Non-slip pads: TPE, pebble grey RAL 7032.



Part No.	Version	Supply
M 56 00 015	Without tilt legs	①+② x 4
M 56 00 045	With tilt legs	①+② x 4 + ③ x 2



Order your own customised version

We can supply the UNIMET enclosures fully customised to your individual technical specifications.

All external dimensions – height, width and depth – can be modified to ensure your PCB assemblies and equipment will fit exactly.

The enclosures and front panels can be machined with holes and cutouts for fitting displays, keypads, HMI touch panels, control buttons and connections.

Other services include adding inserts and screw bosses; custom colours and finishes; digital and silk-screen printing, and engraving.

Having a flexible manufacturing system allows us to offer competitive prices even for small quantities. Do not hesitate to ask us for a quotation.

Our sales team will be very happy to discuss your requirements and help you specify your UNIMET enclosures exactly as you need them.



METcase™

MANUFACTURER

Metcase Enclosures
A division of:
OKW Enclosures Ltd.
15 Brunel Way
Segensworth East
Fareham, Hampshire
PO15 5TX
United Kingdom

Telephone: +44 (0) 1489 583858
Email: sales@metcase.co.uk
Website: www.metcase.co.uk

© OKW Enclosures Ltd. All rights reserved
Catalogue Edition 1 – September 2024.
This catalogue will be valid until 31/12/2027.
Subject to technical modifications without notice.
Typographical and other errors do not justify any
claim for damages.
Digital Version: 09/2024e

Presented by:

Find your local sales partner here:



UNITED KINGDOM | IRELAND
OKW ENCLOSURES LTD
15 Brunel Way,
Segensworth East,
Fareham, PO15 5TX
United Kingdom
Phone: +44 (0) 1489 583858
Email: sales@metcase.co.uk
Website: www.metcase.co.uk



AUSTRALIA | NEW ZEALAND
ROLEC OKW Australia New Zealand PTY LTD
Unit 6/29 Coombes Drive, Penrith NSW 2750
Phone: +61 2 4722 3388
Email: metcase@rolec-okw.com.au
Website: www.metcase.com.au



BELGIUM | LUXEMBOURG
TelereX N.V.
Uilenbaan 90 Unit 8, 2160 Wommelgem
Tel: +32 (0)3 3 26 40 00
Email: info@telereX-europe.com
Website: www.metcase.co.uk



BRAZIL
sob Schurter + OKW do Brasil
Componentes Eletrônicos Ltda.
Rua Barão do Triunfo,
88 - Sala 606 Brooklin,
São Paulo/SP CEP 04602-000
Phone: +55 (11) 50 90 00 30
Email: info@sob-brasil.com
Website: www.metcase.co.uk



ISRAEL
P. Weiss
20 Ha-Ta'as st.
P.O.B. 50 Kfar-Saba, 4442520.
Phone +972 9 7677500
Email: pweiss@pweiss.co.il
Website: www.metcase.co.uk



ITALY
Alhof di A. Hofmann SPA
Via Melegnano 20,
20019 Settimo Milanese MI
Phone: (02) 28 50 08 1
Email: alhof@alhof.com
Website: www.metcase.co.uk



NETHERLANDS
TelereX Nederland B.V.
Postbus 6852, 4802 HW Breda
Tel: +31 (0)76 5 78 20 00
Email: info@telereX-europe.com
Website: www.metcase.co.uk

www.metcase.co.uk